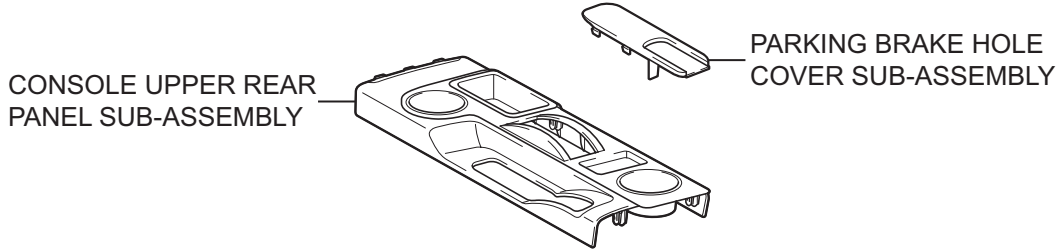


PARKING BRAKE LEVER

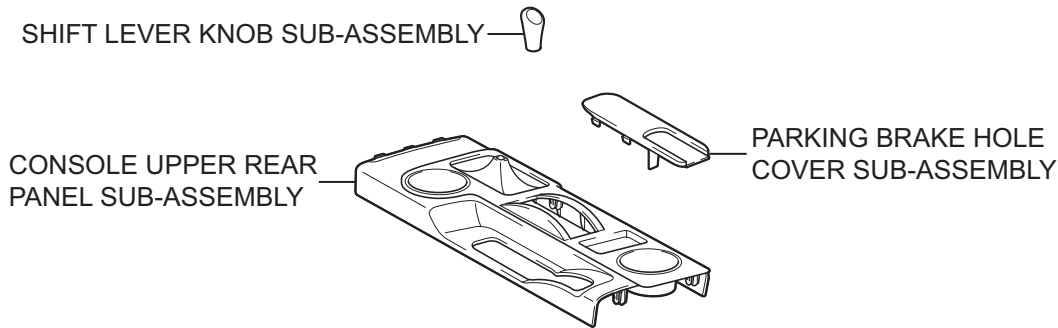
COMPONENTS

PB

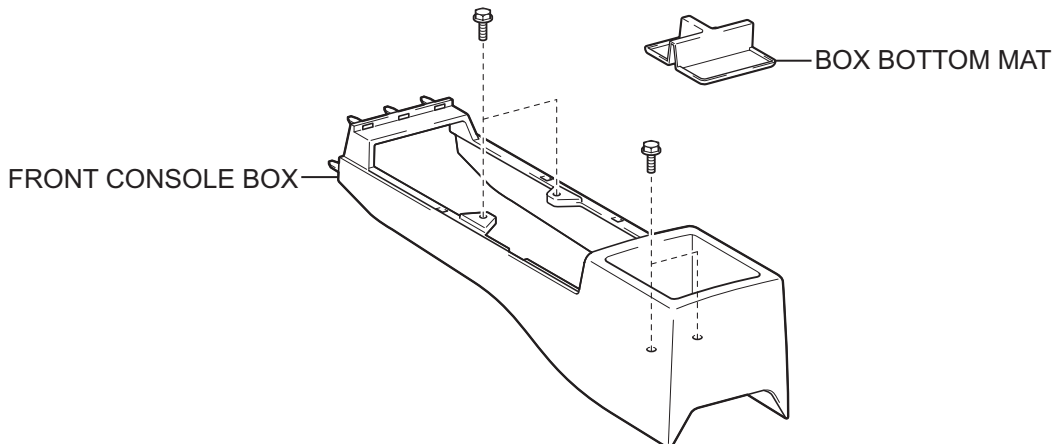
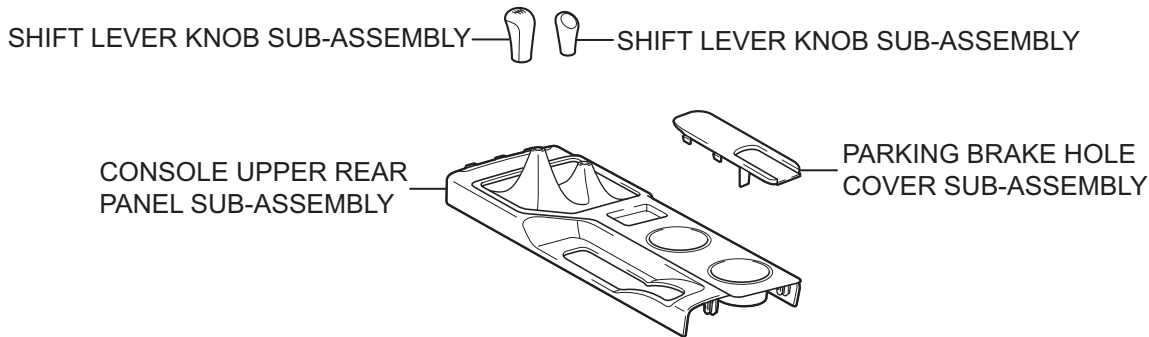
for Automatic Transmission 2WD:

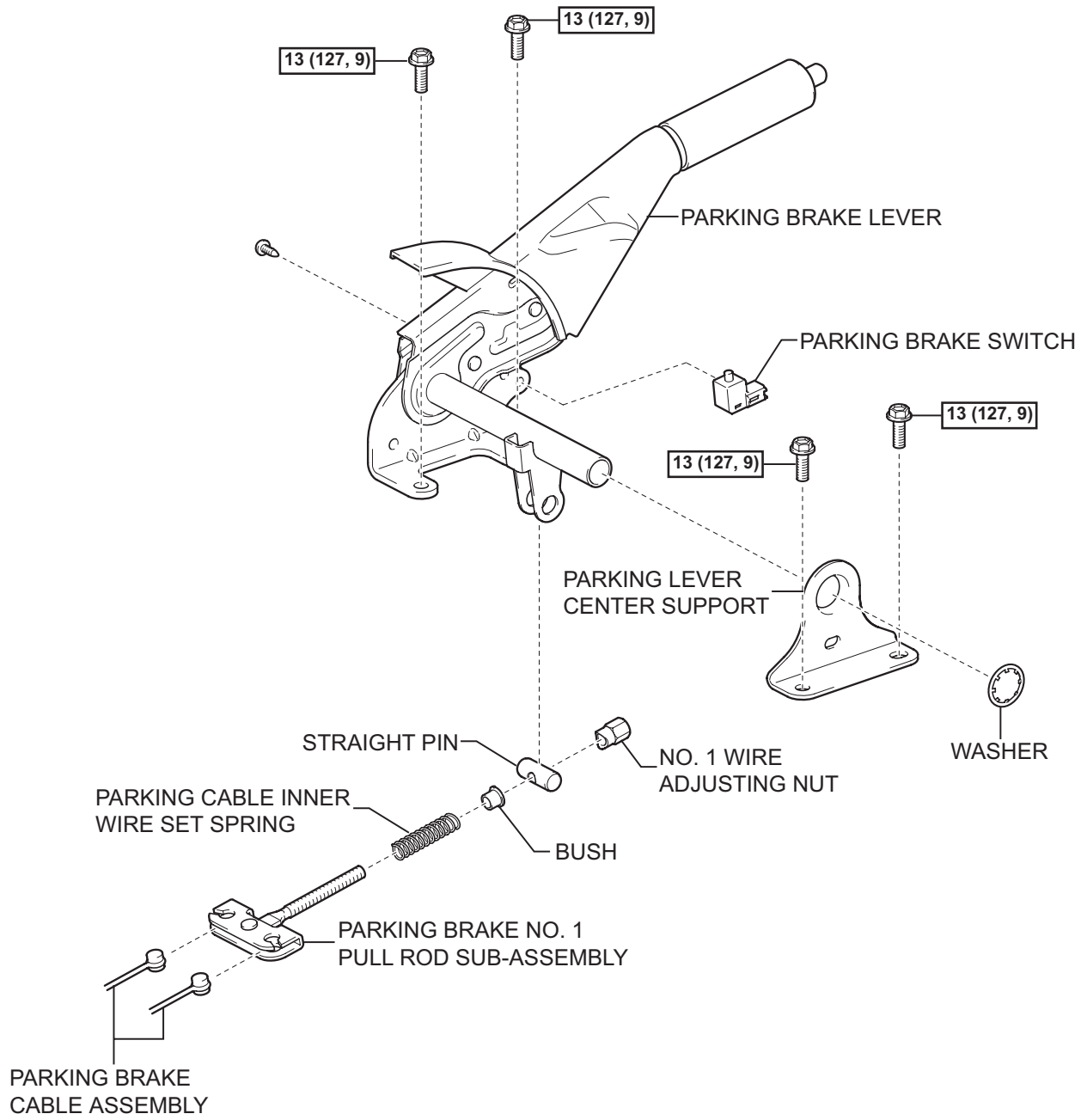


for Automatic Transmission 4WD:



for Manual Transmission 4WD:





N*m (kgf*cm, ft*lbf) : Specified torque